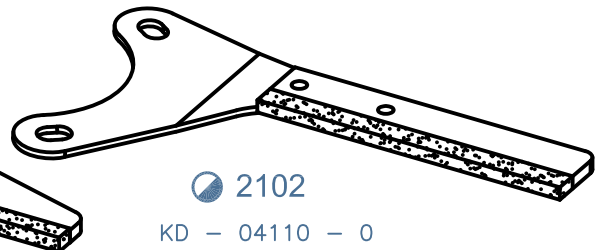
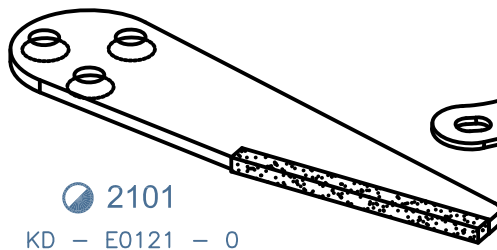
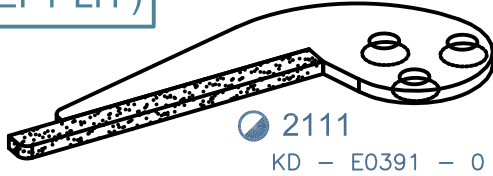


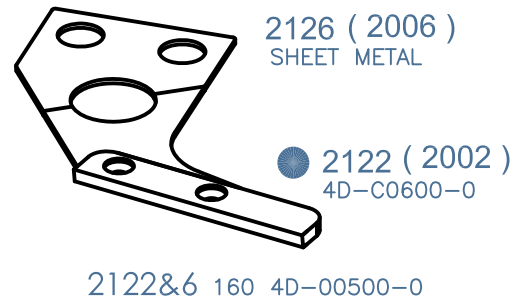
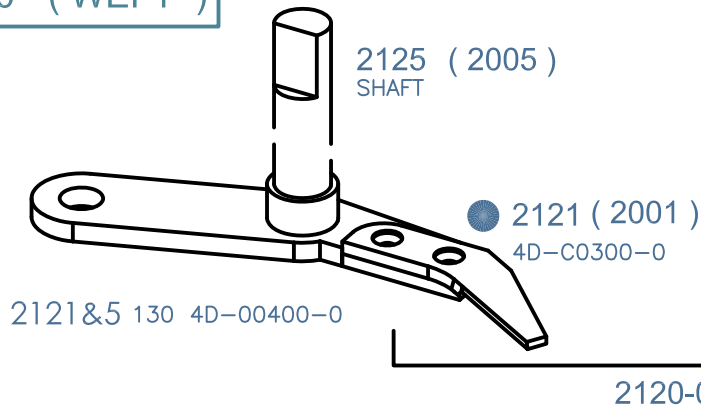
2100 - (WEFT RH)



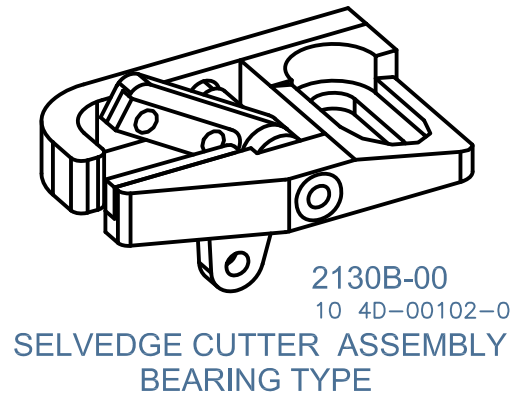
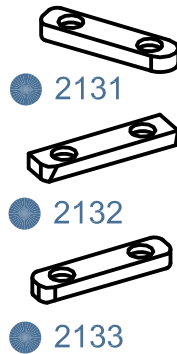
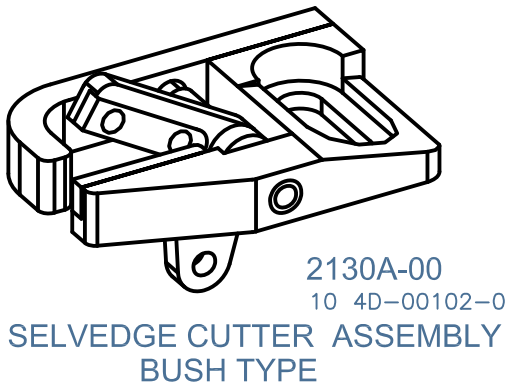
2110 - (WEFT LH)



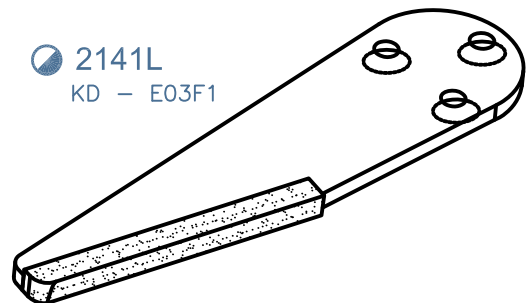
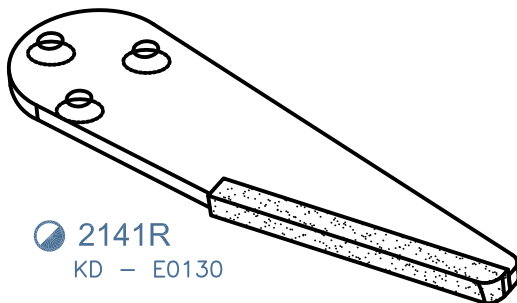
2120 - (WEFT)



2130 - (SELVEDGE)



2140 - (WEFT RH & LH) 190



MATERIAL CODE : ● SOLID CARBIDE , ○ HSS , ◐ BRAZED CARBIDE , ⊙ TIN COATED